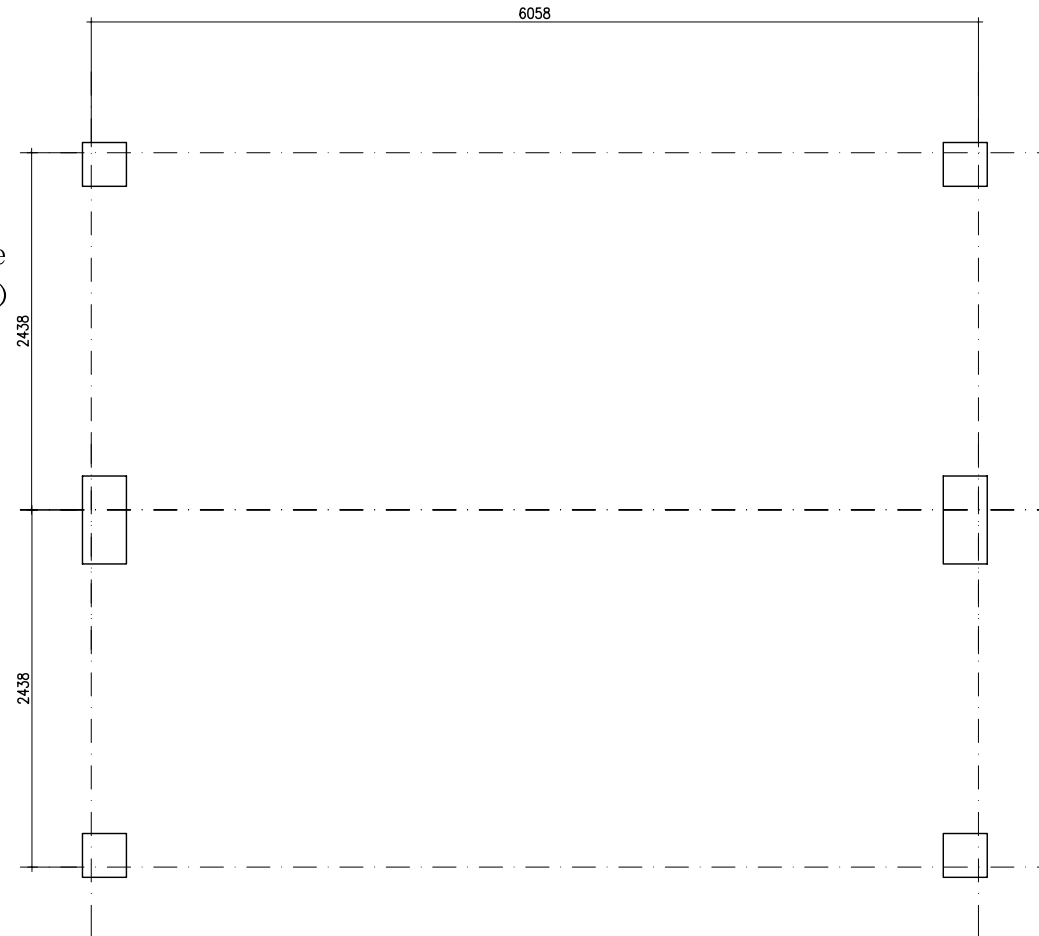


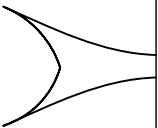


Preparation before the installation

Lay down the container house on the flat ground .The difference for level height of the four corners can't be more than 2-3mm. Use some materials to support the container house, prevent rainwater flooding and the bottom beams rusting. (in this diagram ,we use the concrete block to support on four corners)



concrete block plan

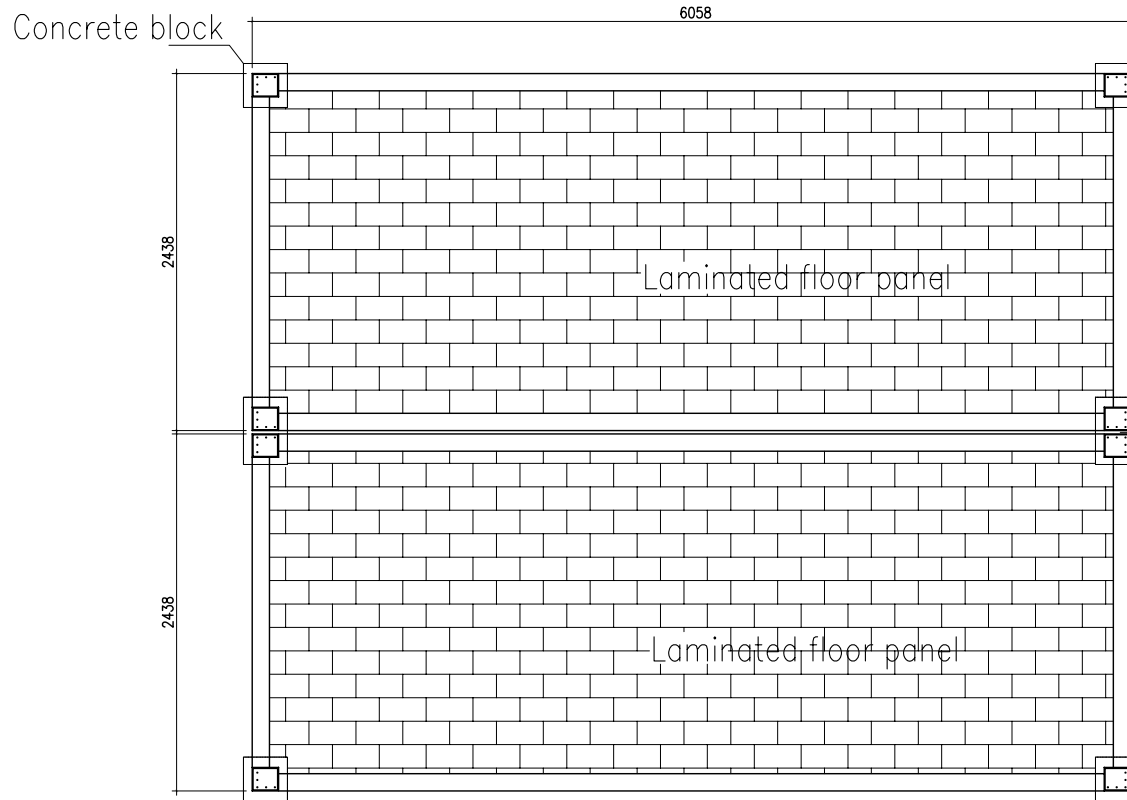


2



Step 2: Lay down the floor chassis

**Put the Floor chassis of
container bottom on the four
Concrete blockes**



Here,pls leave 10mm space when install,
in order to install the water-proof Rubber strip

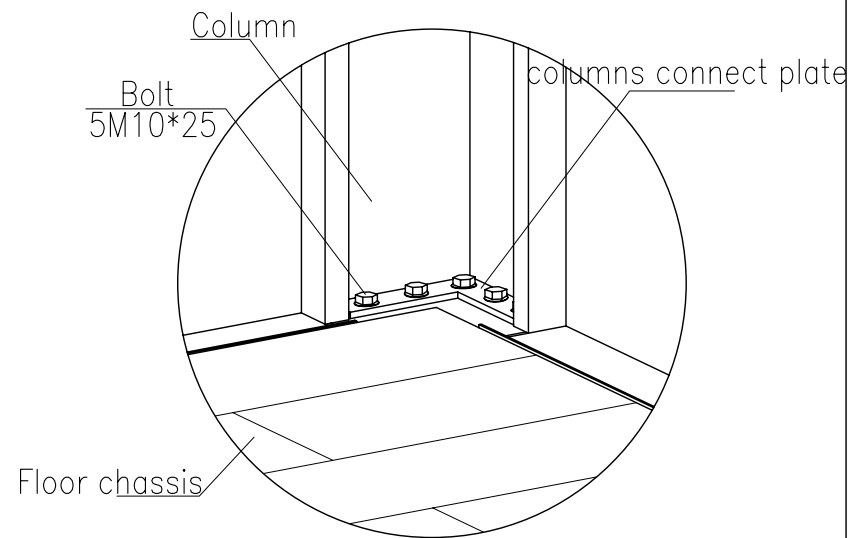
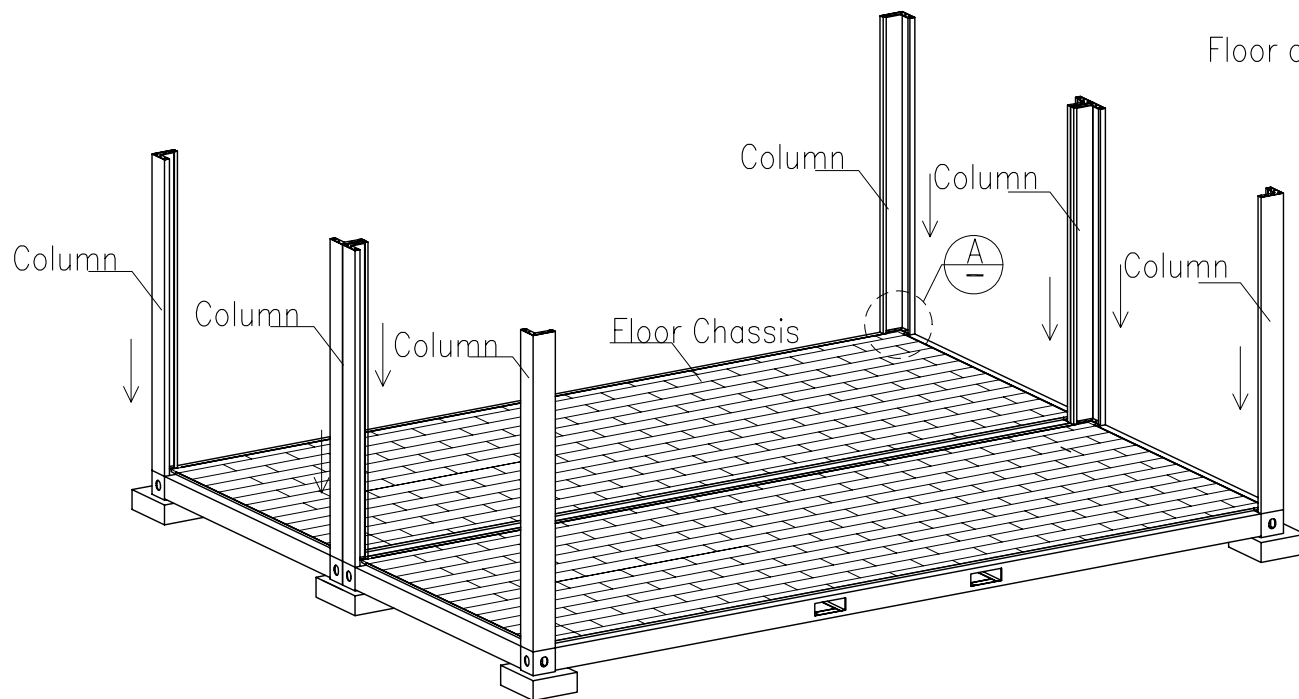
Layout for the floor chassis of container house

3



Step 3: Install the column

Correspond the pier plate hole on the bottom to the connect holes on the column feet, then fix it by M10*25 bolts. In order to install the container top easily, so we don't need to tighten the bolts (please refer to diagram A)



A
Details

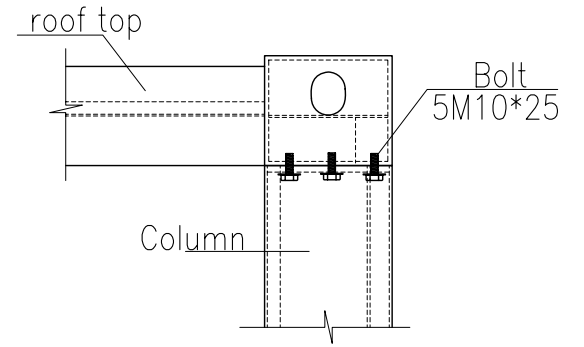
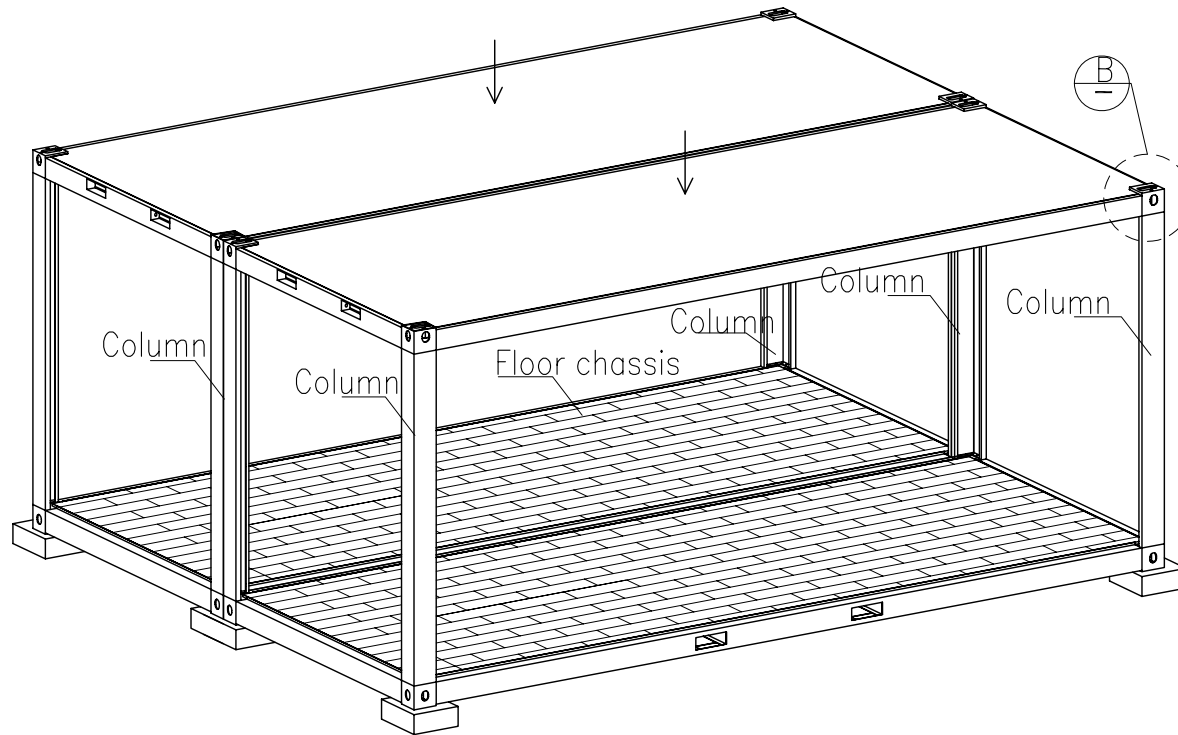
Installation for the floor chassis and Columns

4

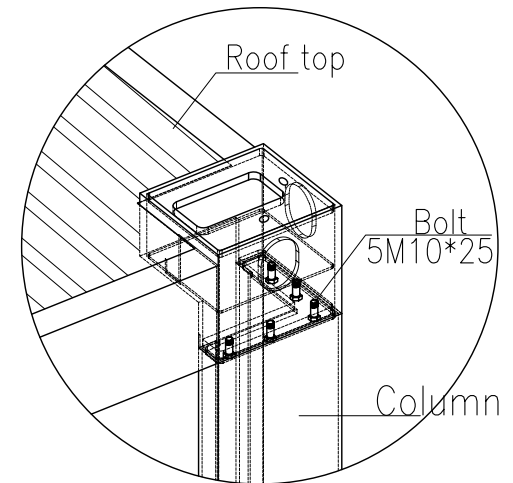


Step 4: Install the roof top

Hang the container top up, correspond the hole on top plate to connect holes on the columns, fix it by M10*30 bolt, then, tighten the bolts for container bottom and columns, top and columns. made them to be Integrated.

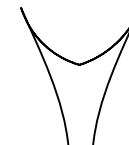
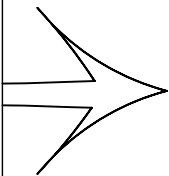


The connection for roof top and corner column
horizontal view



B
Details

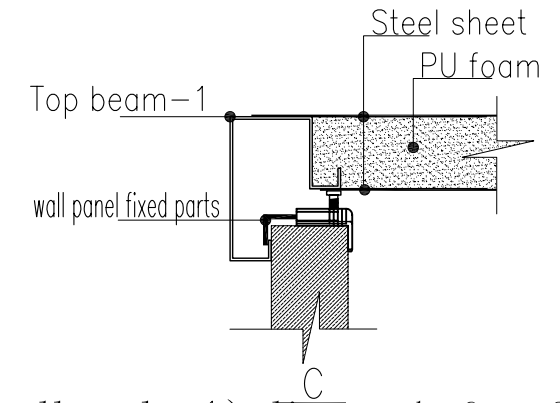
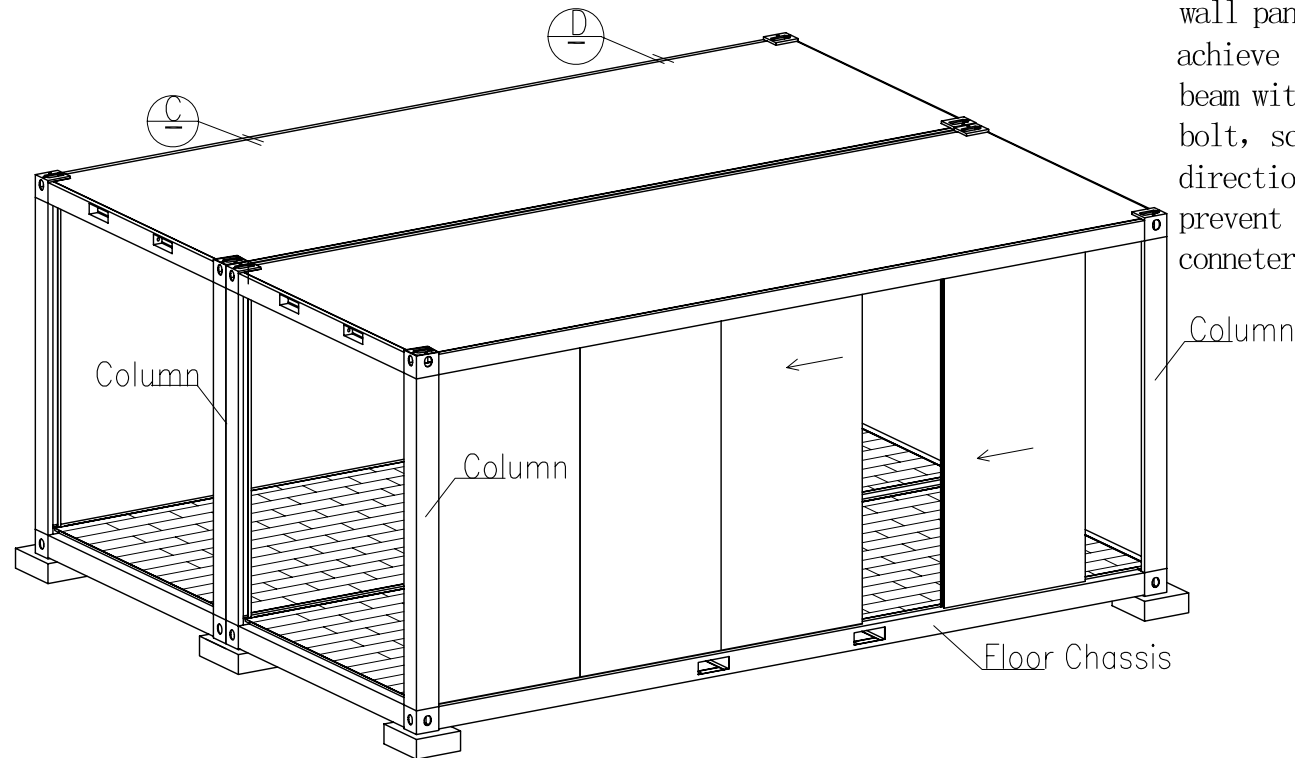
Installation for the roof top and Columns



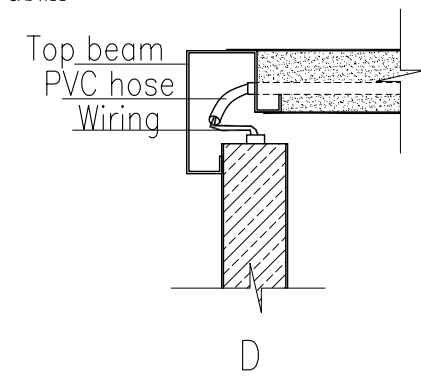


Step 5: Install the wall panels

First install the wall panel on the long side from the corner column, then install other wall panels along the long side, the feet of wall panel will be put on the bottom beam, the upside will be fixed by connect parts (refer to diagram C), when connect two wall panels, make sure surface counterparts flat, then tighten the panels. During installing wall panel if some panels have electricity wires, firstly install the electricity wires, then install wall panel. (refer to diagram D)



when fix wall panel : 1) alignment the feet of wall panel to the bottom beam, made the wall panel to achieve equitable vertical, 2) fix wall panel with Top beam with connectors, after fix the horizontal bolt, screw the vertical bolt to wrung out direction, tight the bolt to upper beam (in order to prevent the panel bulge upward under pressure and conneter fall down)

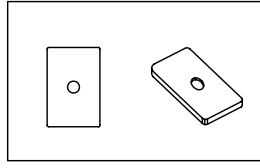
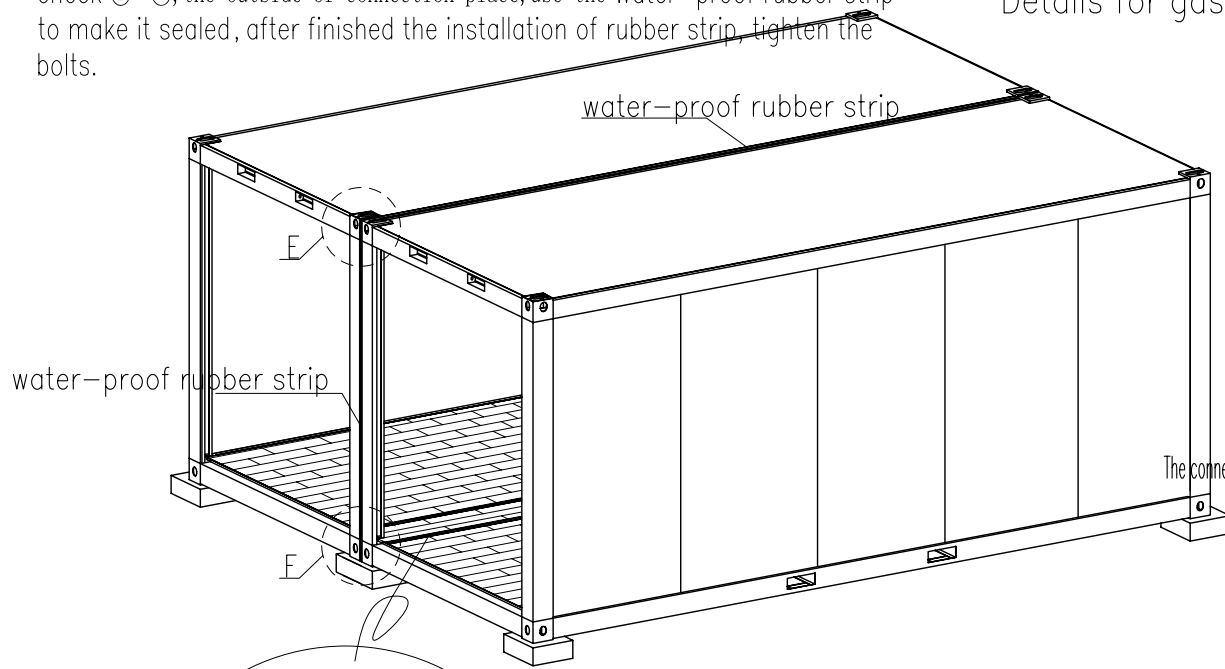


outside the electricity wires is PVC hose. electricity wires will go through the conduit pre-set in container roof top, and connected to the main wire in the junction box.

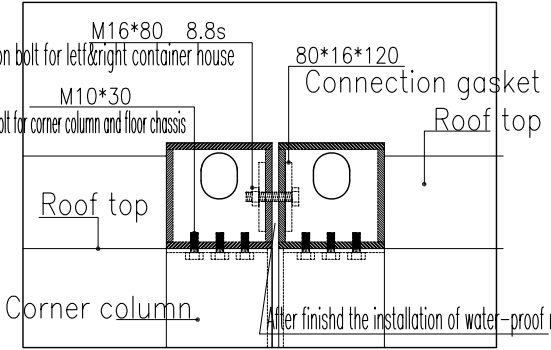


Step 6: Install the connection accessories

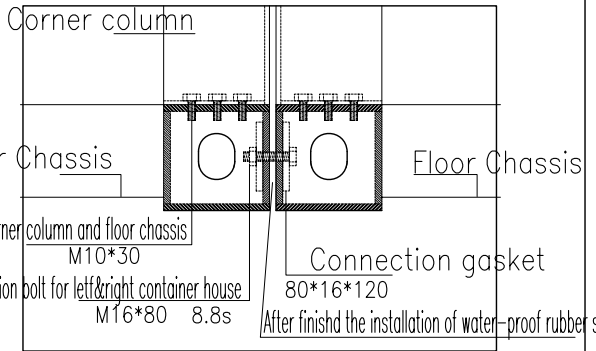
The connection accessories included the connection of top and bottom, connection of floor, decorative covers sheet as well as the Water-proof rubber strip, the connection of top and bottom need to use the bolts and gaskets, pls check the diagram E,F; connection of floor, pls check the below diagram; decorative covers sheet for Columns and top beams, pls check ①-④, the outside of connection place, use the Water-proof rubber strip to make it sealed, after finished the installation of rubber strip, tighten the bolts.



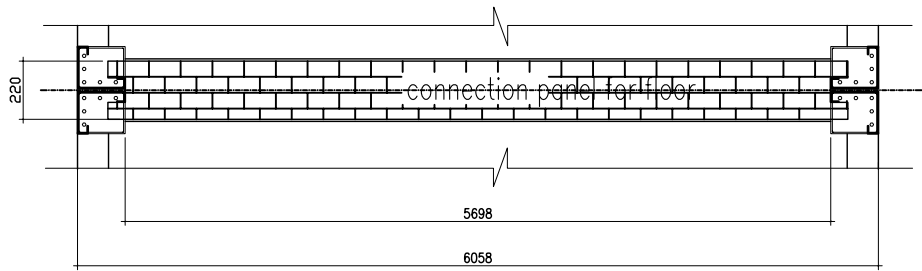
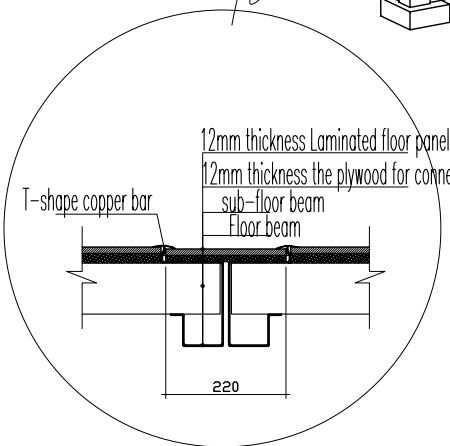
5:1
Details for gasket



E
Connection details



F
Connection details



connection panel for floor

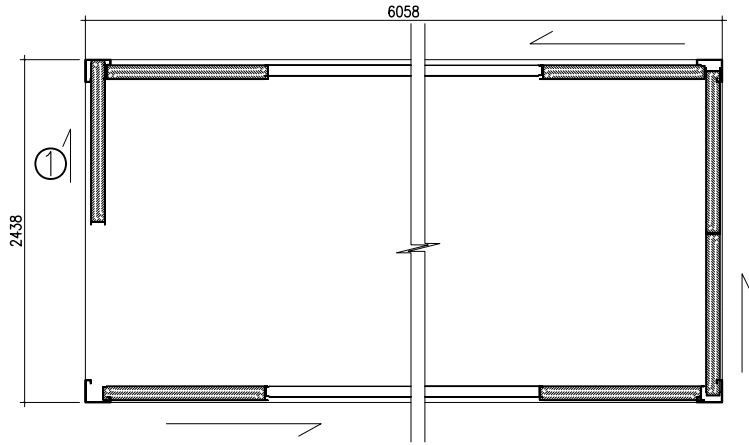
The connection bolt for left&right container house
M16*80 8.8s
The connection bolt for corner column and floor chassis
M10*30
80*16*120
Connection gasket
Roof top
Roof top
Corner column
After finishd the installation of water-proof rubber strip,tighten the bolts

The connection bolt for corner column and floor chassis
M10*30
The connection bolt for left&right container house
M16*80 8.8s
80*16*120
Connection gasket
After finishd the installation of water-proof rubber strip,tighten the bolts

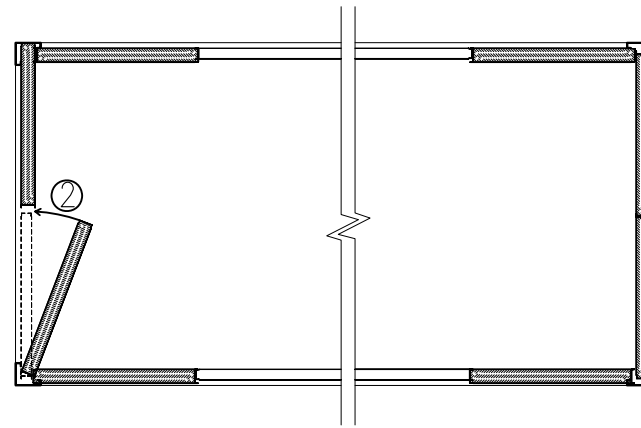


Step 7: the details for the installation of wall panel

In order to make it easy, usually leave the short side which with two panels to be installed finally, when install the last wall panels, push the one wall panel tightly to the columns, then install the final pc wall panel aligned position push the side wall panel to the origin position. (refer to the follow diagram)

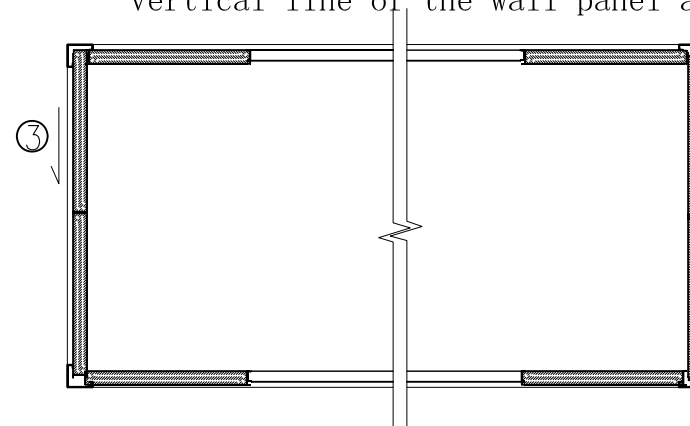


step 1
push wall panel 1
tightly to columns



step 2

then take wall panel 2 to the inside, one side of wall panel will be put into the gap in the columns, turn the wall panel to expect position, treating the vertical line of the wall panel as dot

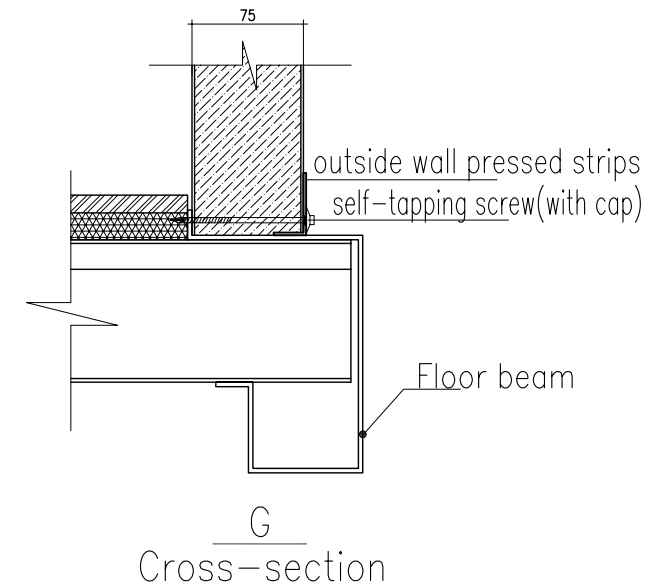
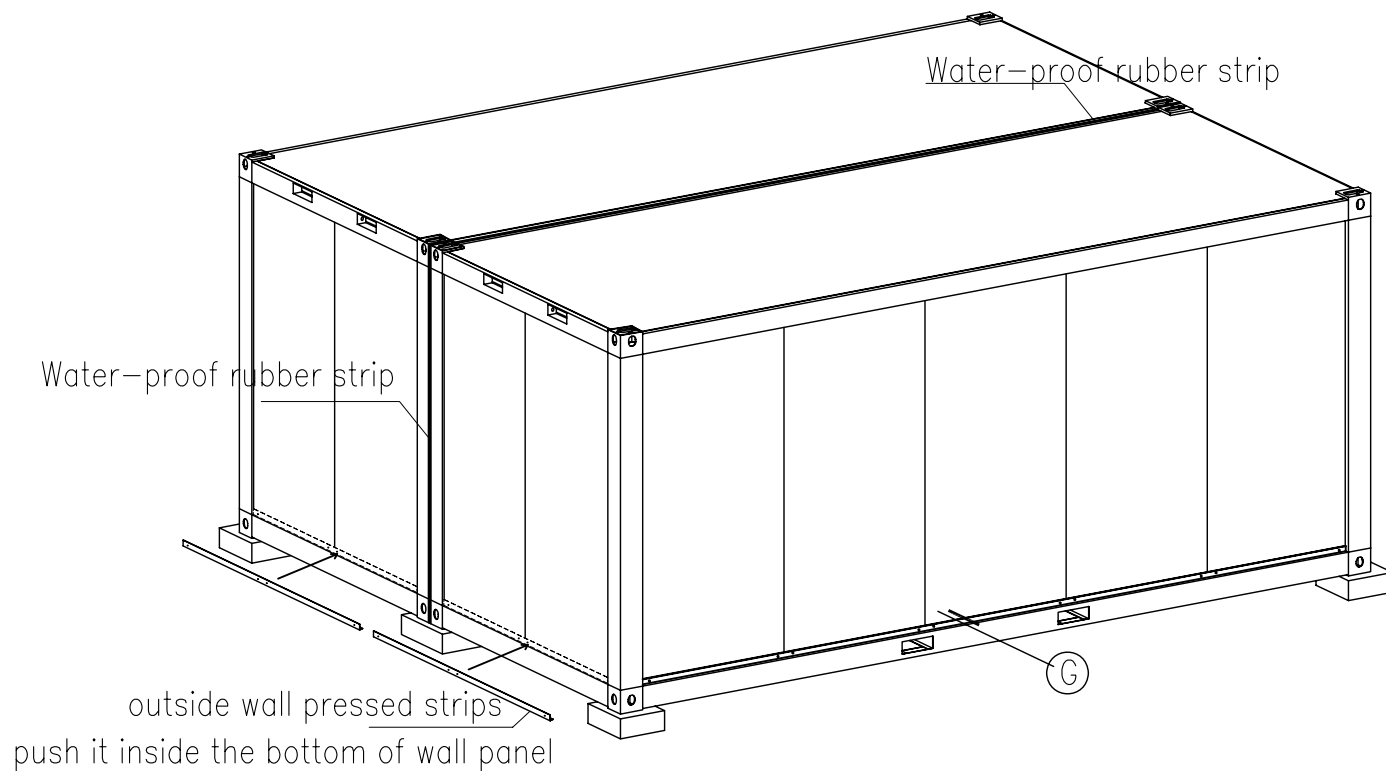


Step 3
Finally push wall panel
1 to the origin place.

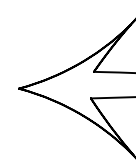
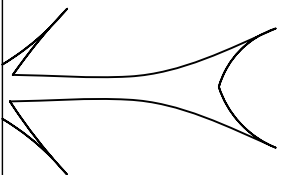


Step 8: Install outside wall pressed strip

After install wall panel, insert the wall panel pressed strips into wall panel bottom, put the bolt ($\text{Ø}5.5 \times 105$) inside the bolt holes, fix bolt, so it can be connected on the bottom beam (refer to diagram G)



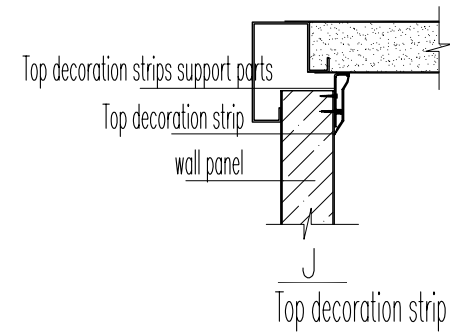
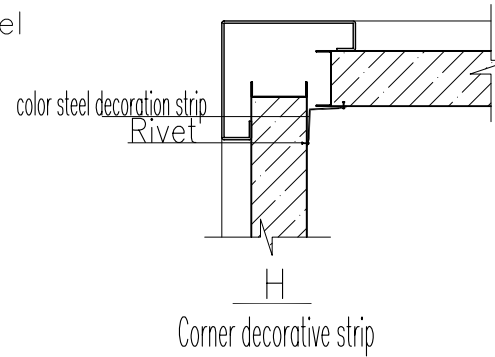
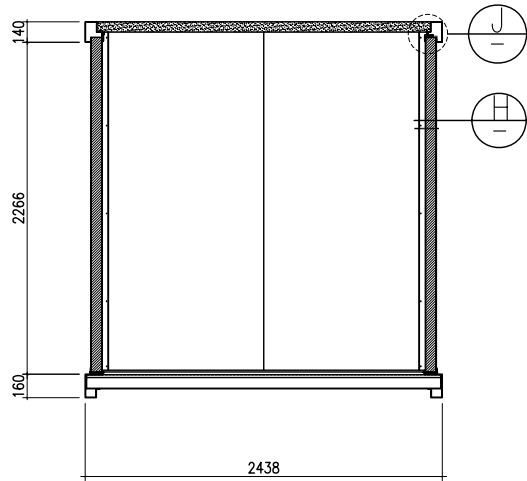
Install the wall panel pressed strip



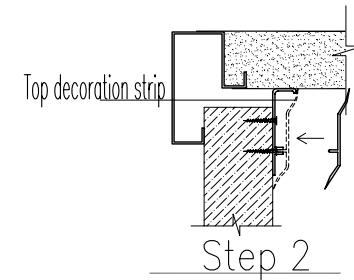
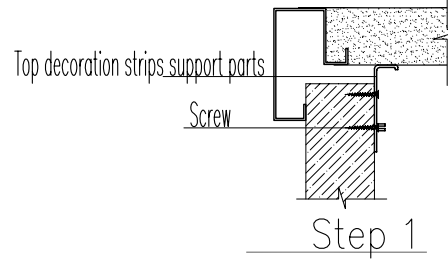


Step 9: Install inside decoration lines 1

Firstly install the inside corner decoration line (color steel 2300) (refer to diagram D), when Install Top decoration line, after installing Top decoration lines supporter, tighten the decoration lines with decoration line supporter, when install corner decoration line, use decoration line inside corner to connect (refer to Top decoration line installation step).

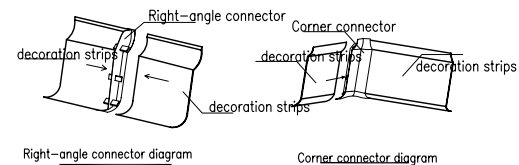
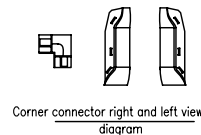
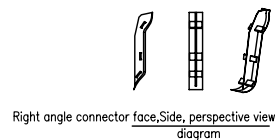


The installation step for Top decoration strips:



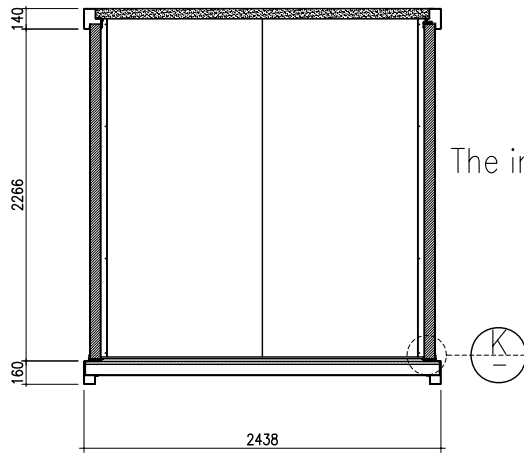
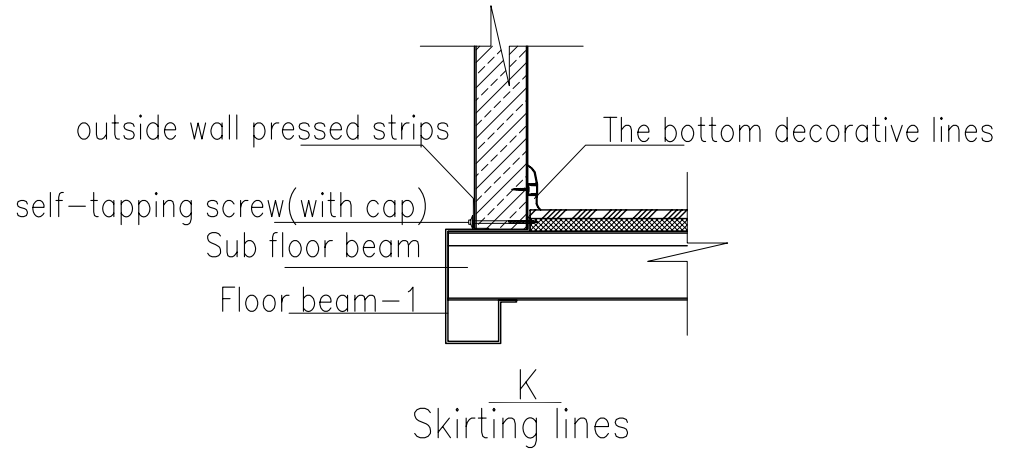
For the each side of one pc decoration strip will install one pc decoration strips supporter, In the middle, add some decoration strips supporters. For the long side install 2pcs 2950mm decoration strips, short side will install one pc 2200mm decoration strip, then install the decoration strips supporters.

insert the decoration strips into the decoration strips supporters (2 pcs decoration strips will connect by connector parts). Finally decoration strips on long side and short side will be connected by decoration strips outside corner

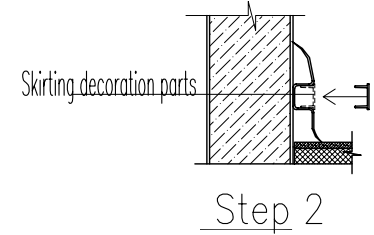
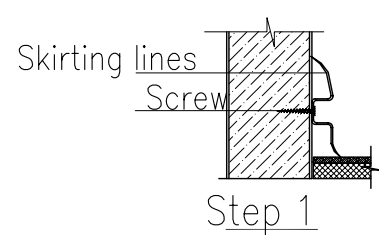


Step 10: Install the inside decoration lines 2

It will be same way for installing the skirting as installing the container top decoration strips(refer to the installation instruction).

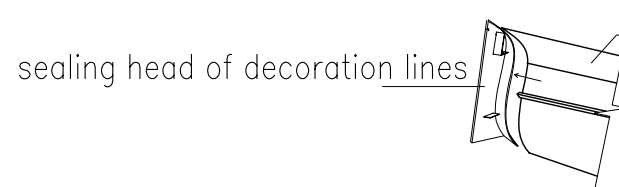


The installation for the bottom decorative lines



long side of container bottom is 2pcs 2950mm decoration strips , short side is 2200mm decoration strips , fix decoration strips with bolt firstly.

Bottom decoration strips which has middle bolt parts will be compact by small decoration strips



sealing head connect details

Remark:
Skirting connecting including the Straight line connecting, corner connecting , skirting sealing head, refer to the container top decoration strips installation instruction diagram

